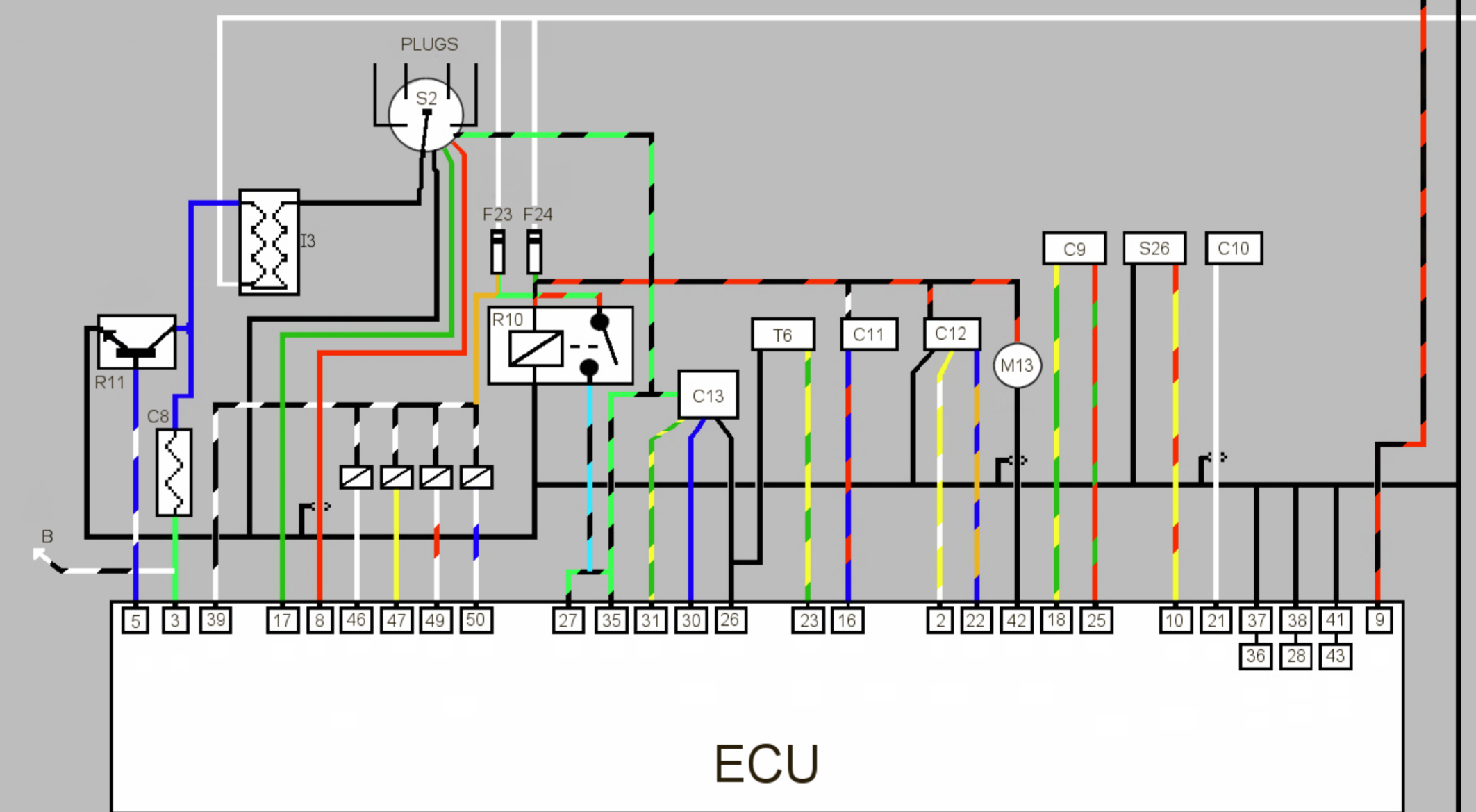


- | | | | | | |
|--------------------------------|---|--------------------------|----------------------|--------------------------|-------------------------------|
| A1 HORN RIGHT | F1 HORN 15A | H1 AUTO CHOKE | L21 SIDE FRONT RIGHT | S1 INGNITION | S21 WINDOW RIGHT |
| A2 HORN LEFT | F2 WIPERS 10A | H2 REAR SCREEN | L22 REAR LEFT FOG | R9 MAIN BEAM | S22 WINDOW LEFT |
| A3 SPEAKER RIGHT | F3 LIGHTING 10A | H3 CIGAR LIGHTER | L23 REAR RIGHT FOG | R10 ENGINE MANAGEMENT | S23 MIRROR JOYSTICK |
| A4 SPEAKER LEFT | F4 RAD FAN 15A | I1 COIL FORD | M1 STARTER | R11 POWER TRANSISTOR | S24 MIRROR SELECT |
| A5 RADIO | F5 REAR WINDOW 10A | I2 FUEL CUT OFF | M2 SCREEN WASHER | S2 DISTRIBUTOR | S25 HEATER FAN |
| C1 INSTRUMENT STABILISER | F6 HEATER FAN 10A | I3 COIL NISSAN | M3 WIPER | S3 LEFT BELT | S26 REVERSE LIGHT |
| C2 LOW FUEL UNIT | F7 WINDOW MOTORS 15A | L1 REV LIGHT RIGHT | M4 RADIATOR FAN | S4 RIGHT BELT | T1 TEMPERATURE SENDER |
| C3 LOW COOLANT UNIT | F8 CIRCUIT BREAKER | L2 REV LIGHT LEFT | M5 HEATER FAN | S5 SEAT SENSOR | T2 FUEL LEVEL |
| C4 LOW OIL UNIT | F9 AERIAL 5A | L3 BRAKE LIGHT RIGHT | M6 RIGHT HEADLIGHT | S6 RIGHT BRAKE PAD | T3 LOW OIL PRESSURE |
| C5 WIPER DELAY UNIT | F10 RADIO 5A | L4 BRAKE LIGHT LEFT | M7 LEFT HEADLIGHT | S7 HANDBRAKE | T4 LOW WATER LEVEL |
| C6 DIODE RH LIFT MOTOR | F11 CIGAR LIGHTER 10A | L5 IND LIGHT RIGHT FRONT | M8 AERIAL | S8 BRAKE FLUID | T5 LOW OIL LEVEL |
| C7 DIODE LH LIFT MOTOR | F12 DIP BEAM LEFT 7.5A | L6 IND LIGHT RIGHT REAR | M9 RIGHT WINDOW | S9-1 HORN PUSH | T6 TEMPERATURE SENDER for ECU |
| C8 TACHO RESISTOR | F13 DIP BEAM RIGHT 7.5A | L7 IND LIGHT LEFT FRONT | M10 LEFT WINDOW | S9-2 SCREENWASH / WIPE | W1 CHARGING LAMP |
| C9 THROTTLE VALVE | F14 AUX LAMPS 10A | L8 IND LIGHT LEFT REAR | M11 LEFT MIRROR | S9-3 INDICATORS | W2 OIL PRESSURE LAMP |
| C10 SENSOR ENGINE MOUNT | F15 MAIN BEAM LEFT 7.5A | L9 BOOT LIGHT | M12 RIGHT MIRROR | S9-4 HEADLAMP DIP | W3 FUEL LOW LAMP |
| C11 AIR REGULATOR | F16 MAIN BEAM RIGHT 7.5A | L10 INTERIOR RIGHT | M13 FUEL PUMP | S10 REVERSING LIGHTS | W4 WATER LOW LAMP |
| C12 SOLENOID | F17 LEFT SIDES/PLATE 5A | L11 INTERIOR LEFT | P1 BATTERY | S11 BRAKE LIGHTS | W5 OIL LEVEL LOW LAMP |
| C13 AIR FLOW METER | F18 RIGHT SIDES/PLATE 5A
(and Panel) | L12 DIP LEFT | P2 ALTERNATOR | S12 HAZARD LIGHTS | W6-7 SEATBELT WARNING |
| C14 DIODE - BRAKE FLUID SWITCH | F19 REAR FOG 5A | L13 DIP RIGHT | R1 FLASHER | S13 RADIATOR FAN | W8 BRAKEPAD WARNING |
| C15 DIODE HANDBRAKE | F20 WINDOW 25A | L14 AUX RIGHT | R2 IGNITION OVERLOAD | S14 REAR SCREEN | W11 MAIN BEAM LAMP |
| D1 TACHOMETER | F21 WINDOW 25A | L15 AUX LEFT | R3 HEADLIGHT SUPPLY | S15 MAIN LIGHTS | W15 WATER TEMP LAMP |
| D2 TEMPERATURE GAUGE | F22 MIRRORS 5A | L16 MAIN LEFT | R4 LIFT MOTOR SWITCH | S16 BOOT LIGHT | W16 BRAKE FLUID LAMP |
| D3 FUEL GAUGE | F23 INJECTORS | L17 MAIN RIGHT | R5 LIFT MOTOR LEFT | S17 COURTESY LIGHT RIGHT | W17 HANDBRAKE ON LAMP |
| D4 CLOCK | F24 FUEL PUMP | L18 SIDE FRONT LEFT | R6 LIFT MOTOR RIGHT | S18 COURTESY LIGHT LEFT | W18 LEFT INDICATOR |
| | | L19 REAR LEFT / PLATE | R7 HEADLIGHT INHIBIT | S19 AUX LIGHTS | W19 RIGHT INDICATOR |
| | | L20 REAR RIGHT / PLATE | R8 AUX FLASH | S20 REAR FOGS | |



SST - Sabre - Nissan
Peter Freeman