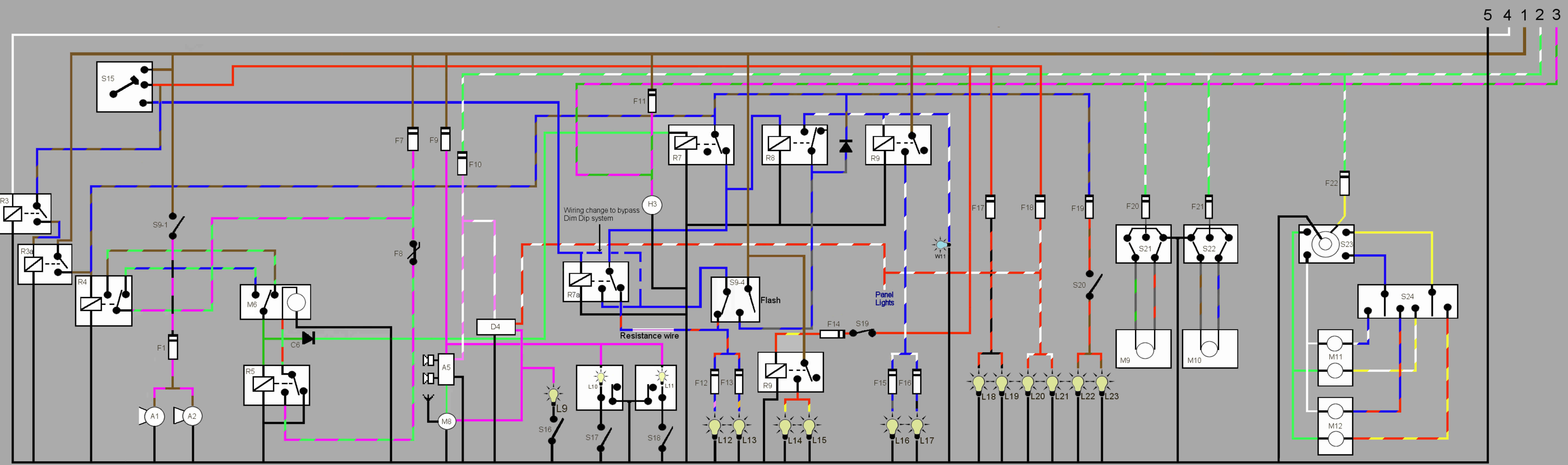


- |                                |                          |                                      |                        |                       |                          |                       |
|--------------------------------|--------------------------|--------------------------------------|------------------------|-----------------------|--------------------------|-----------------------|
| A1 HORN RIGHT                  | D2 TEMPERATURE GAUGE     | F18 RIGHT SIDES/PLATE 5A (and Panel) | L12 DIP LEFT           | M11 LEFT MIRROR       | S7 HANDBRAKE             | S25 HEATER FAN        |
| A2 HORN LEFT                   | D3 FUEL GAUGE            | F19 REAR FOG 5A                      | L13 DIP RIGHT          | M12 RIGHT MIRROR      | S8 BRAKE FLUID           | S26 REVERSE LIGHT     |
| A3 SPEAKER RIGHT               | D4 RADIO                 | F20 WINDOW 25A                       | L14 AUX RIGHT          | M13 FUEL PUMP         | S9-1 HORN PUSH           | T1 TEMPERATURE SENDER |
| A4 SPEAKER LEFT                | F1 HORN 15A              | F21 WINDOW 25A                       | L15 AUX LEFT           | P1 BATTERY            | S9-2 SCREENWASH / WIPE   | T2 FUEL LEVEL         |
| A5 RADIO                       | F2 WIPERS 10A            | F22 MIRRORS 5A                       | L16 MAIN LEFT          | P2 ALTERNATOR         | S9-3 INDICATORS          | T3 LOW OIL PRESSURE   |
| C1 INSTRUMENT STABILISER       | F3 LIGHTING 10A          | H1 AUTO CHOKE                        | L17 MAIN RIGHT         | R1 FLASHER            | S9-4 HEADLAMP DIP        | T4 LOW WATER LEVEL    |
| C2 LOW FUEL UNIT               | F4 RAD FAN 15A           | H2 REAR SCREEN                       | L18 SIDE FRONT LEFT    | R2 IGNITION OVERLOAD  | S10 REVERSING LIGHTS     | T5 LOW OIL LEVEL      |
| C3 LOW COOLANT UNIT            | F5 REAR WINDOW 10A       | H3 CIGAR LIGHTER                     | L19 REAR LEFT / PLATE  | R3 HEADLIGHT SUPPLY   | S11 BRAKE LIGHTS         | W1 CHARGING LAMP      |
| C4 LOW OIL UNIT                | F6 HEATER FAN 10A        | I1 COIL FORD                         | L20 REAR RIGHT / PLATE | R4 LIFT MOTOR SWITCH  | S12 HAZARD LIGHTS        | W2 OIL PRESSURE LAMP  |
| C5 WIPER DELAY UNIT            | F7 WINDOW MOTORS 15A     | I2 FUEL CUT OFF                      | L21 SIDE FRONT RIGHT   | R5 LIFT MOTOR LEFT    | S13 RADIATOR FAN         | W3 FUEL LOW LAMP      |
| C6 DIODE RH LIFT MOTOR         | F8 CIRCUIT BREAKER       | I3 COIL NISSAN                       | L22 REAR LEFT FOG      | R6 LIFT MOTOR RIGHT   | S14 REAR SCREEN          | W4 WATER LOW LAMP     |
| C7 DIODE LH LIFT MOTOR         | F9 AERIAL 5A             | L1 REV LIGHT RIGHT                   | L23 REAR RIGHT FOG     | R7 HEADLIGHT INHIBIT  | S15 MAIN LIGHTS          | W5 OIL LEVEL LOW LAMP |
| C8 TACHO RESISTOR              | F10 RADIO 5A             | L2 REV LIGHT LEFT                    | M1 STARTER             | R8 AUX FLASH          | S16 BOOT LIGHT           | W6-7 SEATBELT WARNING |
| C9 THROTTLE VALVE              | F11 CIGAR LIGHTER 10A    | L3 BRAKE LIGHT RIGHT                 | M2 SCREEN WASHER       | R9 MAIN BEAM          | S17 COURTESY LIGHT RIGHT | W8 BRAKEPAD WARNING   |
| C10 SENSOR ENGINE MOUNT        | F12 DIP BEAM LEFT 7.5A   | L4 BRAKE LIGHT LEFT                  | M3 WIPER               | R10 ENGINE MANAGEMENT | S18 COURTESY LIGHT LEFT  | W11 MAIN BEAM LAMP    |
| C11 AIR REGULATOR              | F13 DIP BEAM RIGHT 7.5A  | L5 IND LIGHT RIGHT FRONT             | M4 RADIATOR FAN        | R11 POWER TRANSISTOR  | S19 AUX LIGHTS           | W15 WATER TEMP LAMP   |
| C12 SOLENOID                   | F14 AUX LAMPS 10A        | L6 IND LIGHT RIGHT REAR              | M5 HEATER FAN          | S1 IGNITION           | S20 REAR FOGS            | W16 BRAKE FLUID LAMP  |
| C13 AIR FLOW METER             | F15 MAIN BEAM LEFT 7.5A  | L7 IND LIGHT LEFT FRONT              | M6 RIGHT HEADLIGHT     | S2 DISTRIBUTOR        | S21 WINDOW RIGHT         | W17 HANDBRAKE ON LAMP |
| C14 DIODE - BRAKE FLUID SWITCH | F16 MAIN BEAM RIGHT 7.5A | L8 IND LIGHT LEFT REAR               | M7 LEFT HEADLIGHT      | S3 LEFT BELT          | S22 WINDOW LEFT          | W18 LEFT INDICATOR    |
| C15 DIODE HANDBRAKE            | F17 LEFT SIDES/PLATE 5A  | L9 BOOT LIGHT                        | M8 AERIAL              | S4 RIGHT BELT         | S23 MIRROR JOYSTICK      | W19 RIGHT INDICATOR   |
| D1 TACHOMETER                  |                          | L10 INTERIOR RIGHT                   | M9 RIGHT WINDOW        | S5 SEAT SENSOR        | S24 MIRROR SELECT        |                       |
|                                |                          | L11 INTERIOR LEFT                    | M10 LEFT WINDOW        | S6 RIGHT BRAKE PAD    |                          |                       |

Be aware that this drawing is to be used as a guide only. The wiring was changed from car to car, some cars have dim/dip as shown some have not, some cars raise the pods for flash some use the Aux lights There are possibly other changes we do not know about. Cable colours are in some cases "best guess".

**SST - Sabre - Ford**  
Peter Freeman



5 4 1 2 3